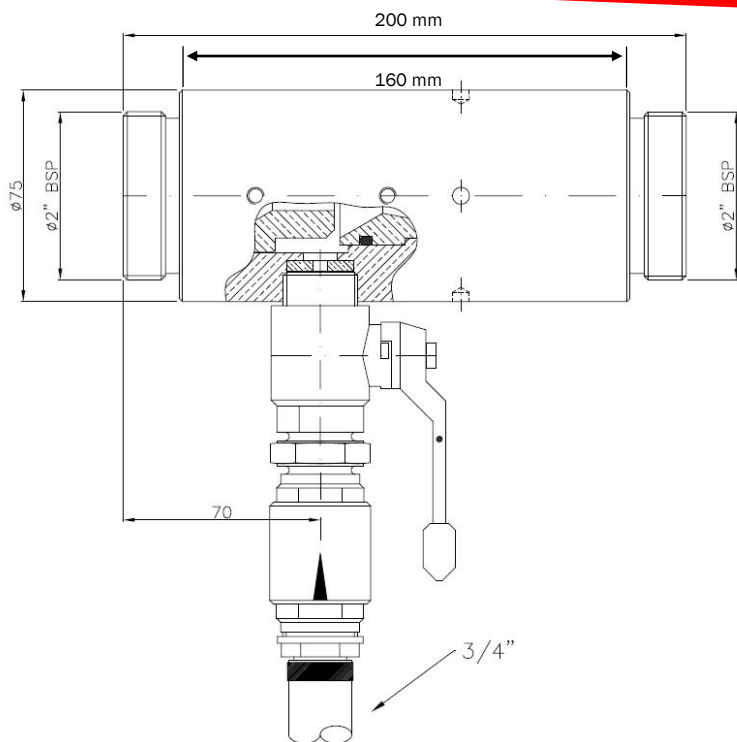
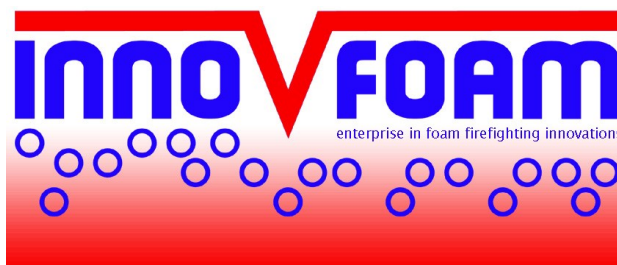


In-line Foam Inductor



- Body** : Aluminium light alloy
- Nozzles** : Brass
- Pick-up Pipe** : PVC with reinforced spiral
- Connections** : Threaded or UNI

On Request Storz, Afnor, Bss connection, Flange connection and bronze body

Model	Flow rate	Foam mix	Working pressure	Pressure loss	Weight (kg.)
140-FI2	200 LPM	1% - 3% - 6%	4 - 12 bar	37%	2.5 kg
140-FI3	300 LPM	1% - 3% - 6%	4 - 12 bar	33%	3 kg
140-FI4	400 LPM	1% - 3% - 6%	4 - 12 bar	32%	3 kg
140-FI6	600 LPM	1% - 3% - 6%	4 - 12 bar	29%	3 kg
140-FI8	800 LPM	1% - 3% - 6%	4 - 12 bar	29%	3 kg

Please specify in your order the requested in- or outlet pressure, the mixing percentage and the flow.

Installation requirements: Behind and in front of the mixer a straight length of pipe is required of minimum 5 times the diameter.